

UVmount Curing Machine

MOUNTING



2023

07 / 05

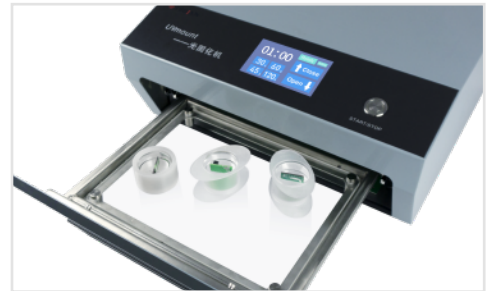
TROJAN (SUZHOU) MATERIAL TECHNOLOGY CO.,LTD

UVmount Curing Machine

UVmount is a cold mounting machine for cold mounting sample preparation that utilizes UV light to rapid curing resins. Pour the resin into a transparent mold, put it into the UVmount. In just 60 seconds, a completely transparent mounted specimen can be obtained. The sample preparation is fast and the sample contains no bubbles, which can meet the needs of high-quality sample preparation.

Features:

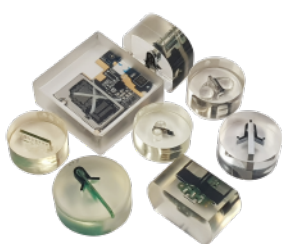
- ◆ Door automatic/electric open & close;
- ◆ Realize “one key start”, automatically complete the process and bringout the samples;
- ◆ 4.3"touch screen;
- ◆ The curing time is adjustable,with 4 preset timer buttons;
- ◆ The upper and lower double-layer light sources make sure the irradiation even distribution;
- ◆ Curing faster and more uniform;
- ◆ Low heat generation during curing, the maximum temperature during curing is less than 90°;
- ◆ The max temperature is less than 60° on the sample;
- ◆ Dual fan cooling system;
- ◆ Can be equipped with air extraction and purifier to prevent unpleasant odor from leaking.(optional)



Technical Specifications:

Model		UVmount Curing Maching
Sample support surface	Dimension	260x200mm
	Max. height	50mm
UV	Curing time	0~100min
	Wavelength	Main 365nm
Dimension	WxDxH	Close: 400x404x188mm; Open: 400x651x188mm
Electrical	Voltage/Frequency	85~240V,50/60Hz (1Ph/N/PE)
Weight		15kg

Related Consumables & Accessories:



Cold Mounting System

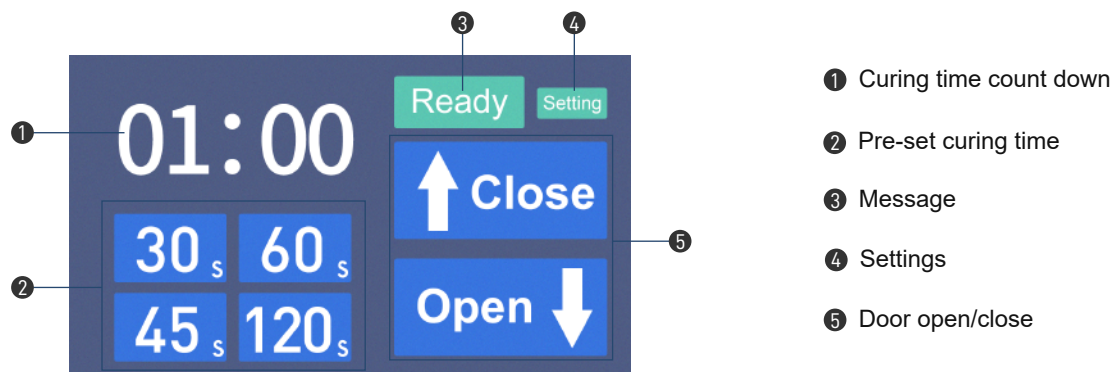


sample clip



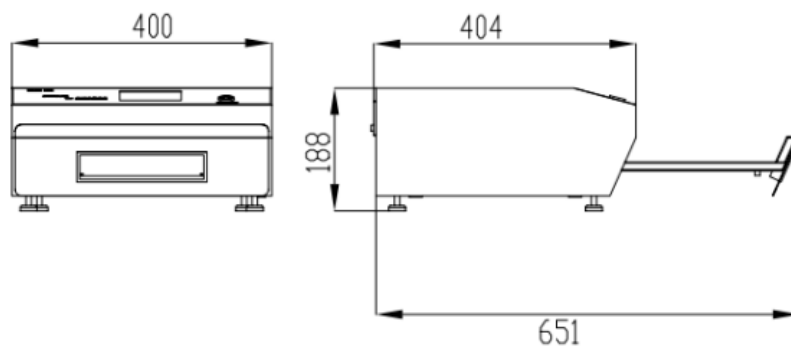
UV resin

Control Panel Introduction:



Dimension Figure

Unite: mm



Technical Specifications:

1	White Silicone soft mold		Φ30mm	3PCS
2	UV resin		100ml	1bottle
3	Power cord		220V, 10A, 1.5M	1pc

Optional accessories:

1	White Silicone soft mold		Φ30*18, Φ31*30, Φ40*27	3 pcs
2	Square White Silicone soft mold		50*50*20	3 pcs

Purchase list:

UV Resin:

02.05.110	TJ 2400 UV resin	1kg
02.05.120	TJ 2400 UV resin	5kg

Fixation Clips:

07.02.010	Transparent triangle clip	100pcs
07.01.015	Plastic coil clip	100pcs

Transparent Silicone Mold Cups:

08.02.022-3	Φ30*18mm(deep)	10pcs
08.02.024-4	Φ31*30mm(deep)	10pcs
08.02.030-3	Φ40*27mm(deep)	10pcs
08.02.055-1	50*50*20mm(Transparent)	10pcs



TROJAN (SUZHOU) MATERIAL TECHNOLOGY CO.,LTD

Tel: +86-512-65283666

Email: sales@trojanchina.com

Web: www.trojanworld.com

Add: Building 26, No.228 Gongtang Road, Luzhi Town, Wuzhong Suzhou, China

