

MT-1H

Auto Mounting Press

MOUNTING

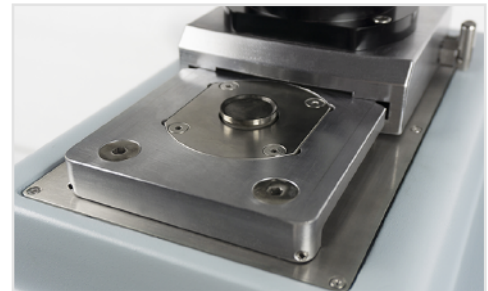


2023

05 / 22

MT-1H Auto Mounting Press

MT-1H is an automatic hot mounting machine for thermoforming of different materials, such as epoxy resin, phenolic powder, acrylic powder, etc. MT-1H is very applicable, has high efficiency and good quality.



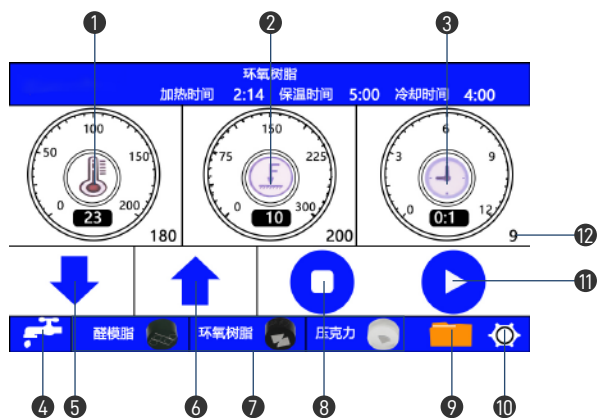
Features:

- ◆ Mainstream 7-inch large screen, easy to control;
- ◆ Automatic water cooling, multiple modes, higher sample preparation efficiency;
- ◆ Real-time monitoring of the production process, large field of view and large buttons, simple and refreshing;
- ◆ Desktop shortcut process formula, one-key parameter setting;
- ◆ Push-pull sliding cover structure, accurate positioning, comfortable hand feeling;
- ◆ Abnormal overheat and overload protection to ensure safety of human and machine.

Technical Specifications:

Model	MT-1H
Power	110/220V, 2.0 Kw
Heat Power	1.6KW
Mold Size	Φ30mm(Standard), Φ25.4, Φ32, Φ40, Φ50mm(Optional)
Heat Range	~200°C
Holding Time	1~60min
Pressure Range	0~300Bar (Depending on the mole size)
Heating Method	Surrounding
Cooling Method	Automatic mode: by time; Manual mode
Cooling Rate	High, Medium and Low
HMI	7" touch screen
Ambient Temperature	-20°C - 60°C
Humidity	0-95%RH
Dimension (WxDxH)	430×463×533mm
Weight	48kg

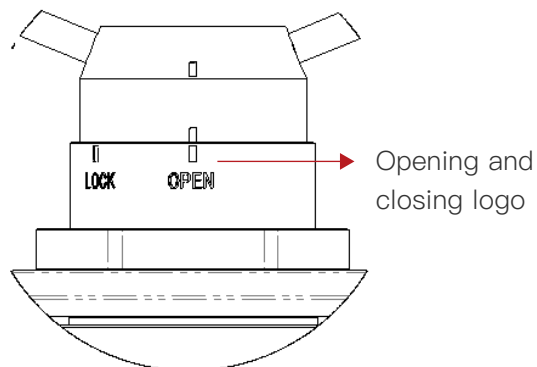
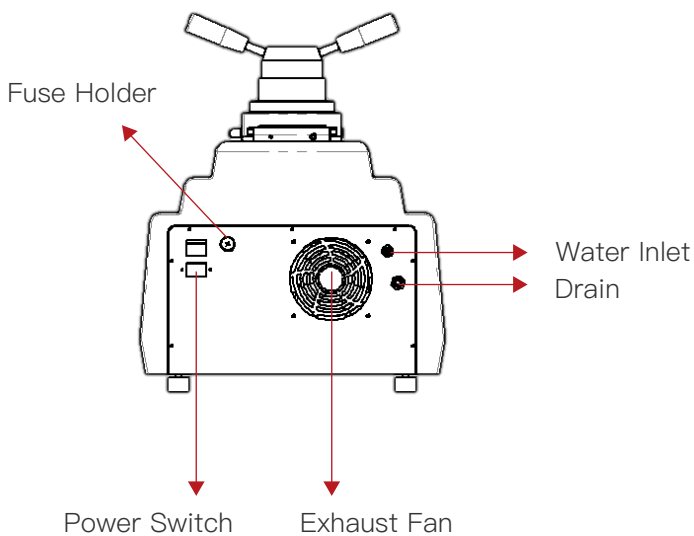
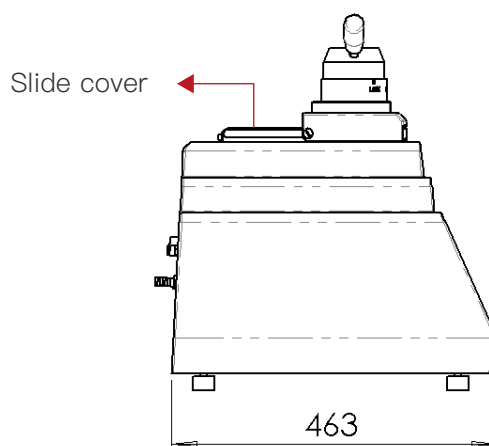
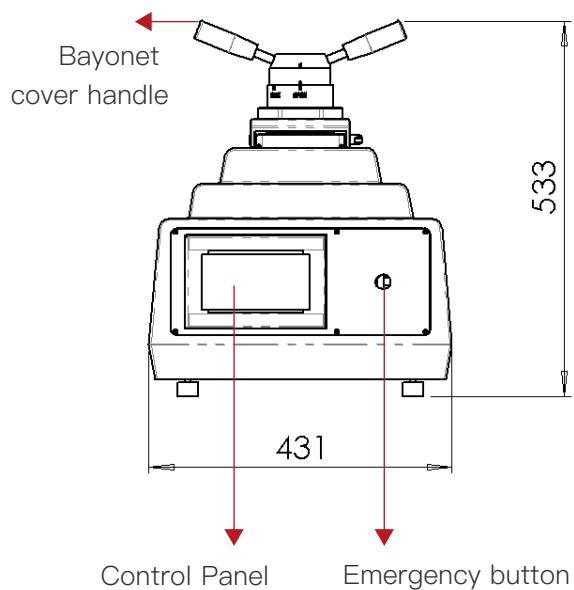
Control Panel Introduction:












- ① Display temperature
- ② Display pressure
- ③ Display time
- ④ Manual cooling
- ⑤ Ram moves down
- ⑥ Ram moves up
- ⑦ Preloaded Procedure
- ⑧ Cycle Stop
- ⑨ Procedures
- ⑩ Setting
- ⑪ Cycle Start
- ⑫ Setting value

Dimension Figure

Unite: mm



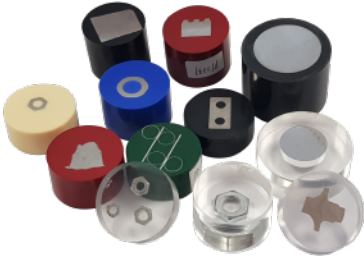
Technical Specifications:

1	Water inlet pipe		Φ8mmPU pipe	1pc
2	Water outlet pipe		Inner diameter 12mm, outer diameter 21mm, drain hose and hose clamp	1set
3	Hot mounting compounds		PT-2231,300g	1bottle
4	Spoon			1pc
5	Funnel			1pc
6	Cleaning brush			1pc
7	Shovel			1pc
8	Allen key		M5 Allen key	1pc
9	Power cable		220V, 16A, 1.5Mhigh-power power cable	1pc

Optional accessories:

1	Circulating tank		Capacity45L, flow 5L/min	1set
2	Sleeve and the rams		Φ25.4、Φ30、Φ32、Φ40、Φ50	1set
3	Mold release			1bottle
4	Brass spacer		Φ25.4、Φ30、Φ32、Φ40、Φ50	1pc

Related Consumables & Accessories:



Hot Mounting Consumables



Mineral & Glass Fiber Filled Epoxy Resin



Sample Support Clip

Purchase list:

Hot Mounting Consumables:

02.01.310/320	PT-2231 Phenolic Resin Black (Daily Use)	1kg/4kg
02.01.311/321	PT-2231 Phenolic Resin Green (Daily Use)	1kg/4kg
02.01.312/322	PT-2231 Phenolic Resin Red (Daily Use)	1kg/4kg
02.01.210/220	BB-2232 Phenolic Edge Protection Resin	1kg/4kg
02.01.110/120	TM-2235 Transparent Resin	1kg/4kg
02.01.710/720	EP-2237 Mineral & Glass Fiber Filled Epoxy Resin	1kg/4kg
02.01.910/940	DC-2239 Graphite Conductivity Hot Insert Resin	1kg/4kg
02.01.960/965	MA-2275 Mineral filled Melamine Resin	1kg/4kg

Accessories for hot mounting:

12.01.042	Mold release agent	100g
07.01.016	Stainless Steel Clip	100pcs



TROJAN (SUZHOU) MATERIAL TECHNOLOGY CO.,LTD

Tel: +86-512-65283666

Email: sales@trojanchina.com

Web: www.trojanworld.com

Add: Building 26, No.228 Gongtang Road, Luzhi Town, Wuzhong Suzhou, China

