

# *Beta-300 Pro*

## *Automatic Cut-off Machine*

CUTTING



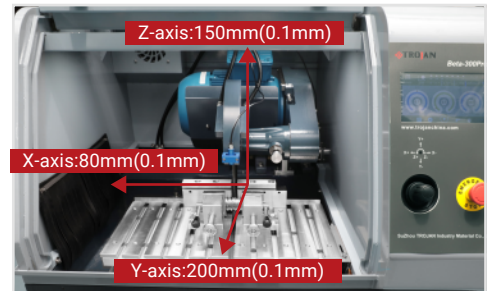
2023

05 / 16

TROJAN (SUZHOU) MATERIAL TECHNOLOGY CO.,LTD

# Beta-300 Pro Automatic Cut-off Machine

Beta-300Pro is a fully automatic vertical metallographic cutting machine. It adopts advanced intelligent control technology, equipped with three-axis industrial rocker and laser positioning. It also has larger cutting table for easy operation. The whole cutting process is operated by touch screen. The Beta-300Pro integrates a variety of different cutting methods and techniques to obtain an excellent cut surface even when cutting large specimens. It has an intelligent cutting mode that guarantees the highest level of repeatability.



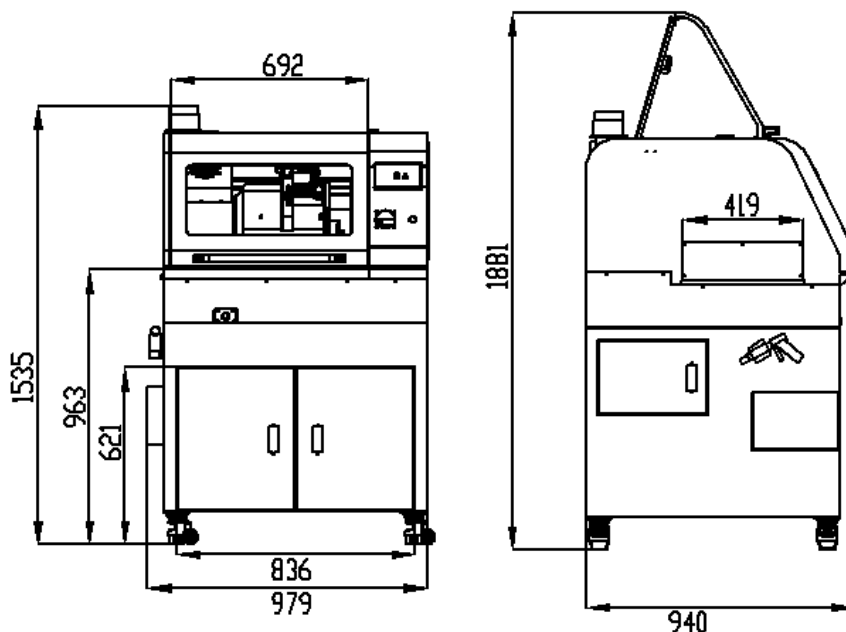
## Features:

- ◆ Adopt 7-inch high-definition LCD touch screen operation interface, can save and customize 20 groups of cutting parameters;
- ◆ X-Y-Z three-axis linkage realizes automatic cutting, laser tool setting, and precise positioning of the cutting position;
- ◆ Multiple cutting modes to meet the various cutting requirements of different specimens;
- ◆ Settable cutting force, intelligent adjustment and optimization of cutting progress according to the hardness of the material and preset cutting force;
- ◆ The standard fixture is a T-fixture, easy to install and operate, can choose a variety of clamps;
- ◆ Pulse cutting, automatic speed adjustment for better cutting effect; Automatic judgment of cutting end function;
- ◆ Quick positioning function



## Dimension Figure

Unite: mm



## Technical Specifications:

Model		Beta-300 Pro
Cutting blade	Rotation speed	800~3500rpm
	Diameter	Φ300mm
	Arbor size	32mm
Electronic	Input	3x380V/50Hz+ground line
	Rated power	Total power 5.0KW, Cutting power 4KW
Safety	Emergency stop	Press to cut off the control circuit and main power
	Security door lock	When the door is open, it cannot be started; when it is running, the door is locked
	Rocker	Requires two-hand control
	Overload protection	Automatic shutdown for overload current
	Cutting Force	Monitoring cutting force, automatic stop when exceeding the set value
Control	Display / Control	7-inch touchscreen
	Z-axis feed	Automatic : 0.1~5mm/s
	Y-axis feed	Automatic : 0.1~5mm/s
	X-axis feed	Electric control rocker
Cooling	Capacity	80L
	Dimension	720x550x550mm (WxDxH, with paper pump)
	Connector	Inlet: DN15, High Pressure pipe of Φ19 inner diameter; outlet: 1.5", Flexible pipe of Φ38 inner diameter
	Water way	Two, flow: 50L/Min
Intelligent Cutting	Cutting Mode	Y-axis/ Z-axis (chopping)/ Y Z linkage
	Speed control mode	Constant speed cutting/pulse cutting/automatic speed regulation
	Laser tool setting	Equipped
	Automatic tool setting	Equipped
	Automatic cut off	No need to set cutting depth, automatic stop after cut off
Cutting Capacity	Max. diameter	Φ110mm
	Max. Square section	80x200mm
Workbench	Dimension	280x536mm
	T-slot	12mm
	Travel	Z-axis: 150mm; Y-axis: 200mm; X-axis: 80mm;
Dimensions	W×D×H	979×940×1535mm(Closed cover), 979×940×1881mm(open cover)
Weight	Beta 300 pro	376kg
	Water tank	34kg

## Related Consumables & Accessories:



Cut Off Wheels



Diamond Wafering Blades



Cutting Coolant



Fast Lock Vise



Vertical Clamp-100



Customized Vise

## Purchase list:

### Cut Off Wheels:

01.01.160	A60 Cut Off Wheels(Extremely Hard)	A603020	300*32.0*2.0mm	10pcs
01.01.260	A50 Cut Off Wheels(Medium Hard)	A503020	300*32.0*2.0mm	10pcs
01.01.360	A30 Cut Off Wheels(Soft)	A303020	300*32.0*2.0mm	10pcs
01.02.460	S20 Cut Off Wheels(Soft Non-Ferrous)	S203020	300*32.0*2.0mm	10pcs

### Diamond Wafering Blades:

01.03.570	DP Diamond Plating Wafering Blade	DP303220	300*32.0*2.0mm	1PC
01.04.670	DR Diamond Resin Bond Wafering Blade	DR303220	300*32.0*2.0mm	1PC
01.05.770	DM Diamond Metal Bond Wafering Blade	DM303220	300*32.0*2.0mm	1PC

### CBN Wafering Blades:

01.06.970	CBN-R CBN Resin Bond Wafering Blades	CBN-R303220	300*32.0*2.0mm	1PC
01.10.970	CBN-M CBN Metal Bond Wafering Blades	CBN-M303220	300*32.0*2.0mm	1PC

### Cutting Coolant:

01.07.810/820	TJ 1220 Cutting Coolant			1L/5L
01.07.857/860	TJ 1410 Cutting Coolant			1L/5L
01.07.890/900	TJ 1506 Cutting Fluids Preservatives			1L/5L



TROJAN (SUZHOU) MATERIAL TECHNOLOGY CO.,LTD

Tel: +86-512-65283666

Email: sales@trojanchina.com

Web: www.trojanworld.com

Add: Building 26, No.228 Gongtang Road, Luzhi Town, Wuzhong Suzhou, China

